

GB GENERAL SAFETY NOTES

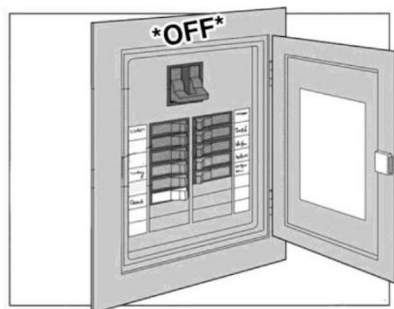
1. The installation must be done only by qualified persons. 2. The installation must be done in compliance with the relevant national regulations. 3. Before starting the installation, make sure that the IP protection is relevant for the particular environment. 4. Before starting the installation, make sure that there is no power supply in the network. 5. During the installation, make sure to observe the instruction labels, given on the luminaire. 6. Check the minimum distances from the objects in the building. 7. Use only original parts in repairs or maintenances. 8. Use only the type of light sources, indicated on the label. 9. The lighting fixture must not be modified in any way. 10. The lighting fixture must be operated only with the complete protective covers. 11. The luminaire must not be covered with thermal insulation materials. 12. Any broken safety screens must be replaced. 13. The manufacturer does not guarantee for any damage, caused by incorrect installation or any usage, other than the given in the instruction manual.

D Montageanleitung

1. Die Montage sollte nur von qualifizierten Personen durchgeführt werden. 2. Bei der Montage müssen die nationalen Vorschriften eingehalten werden. 3. Prüfen Sie vor der Montage, ob die Schutzart (IP) der Leuchte, der für die Umgebung vorgeschriebenen Schutzart entspricht. 4. Stellen Sie vor der Montage sicher, dass der Strom abgestellt ist. 5. Beachten Sie vor der Montage die Hinweisaufkleber auf der Leuchte. 6. Prüfen Sie die Mindestabstände zu dem Bauobjekten. 7. Verwenden Sie bei der Reparatur oder Wartung nur Originalteile. 8. Verwenden Sie Leuchtmittel gemäß der Angaben auf den Etiketten. 9. Das Lampengehäuse darf in keiner Weise verändert werden. 10. Die Inbetriebnahme der Leuchte darf nur mit vollständigen Schutzabdeckungen erfolgen. 11. Die Leuchte darf nicht von wärmedämmende Materialien umhüllt werden. 12. Defekte Schutzabdeckungen sollen unbedingt durch neue ersetzt werden. 13. Der Hersteller haftet nicht für Schäden, die durch unsachgemäße Montage und Änderungen, die nicht in der Anleitung beschrieben sind, verursacht werden.

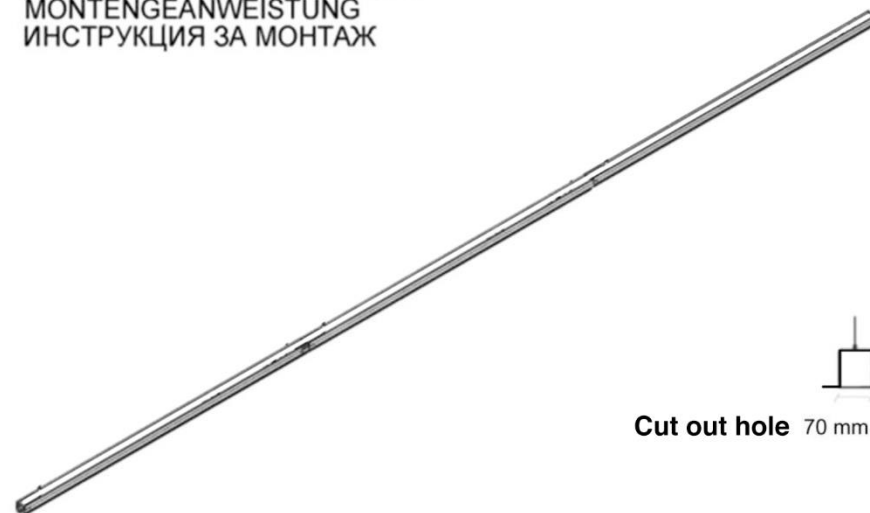
BG Основни правила за безопасност

1. Инсталирането трябва да бъде извършено от лице с подходяща квалификация. 2. Инсталирането трябва да бъде извършено в съответствие с националните стандарти. 3. Преди инсталирането се уверете, че степента на защита на осветителя съответства на средата. 4. Преди инсталирането се уверете, че няма захранване в мрежата. 5. Преди инсталирането прегледайте етикетите по осветителното тяло. 6. Проверете минималните разстояния до строителните обекти. 7. Използвайте само оригинални части при поправка и поддръжка. 8. Използвайте само светлоизточници указани на етикета. 9. Осветителното тяло не може да бъде модифицирано по никакъв начин. 10. Осветителното тяло да се включва само когато са монтирани всички предпазни капаци. 11. Осветителното тяло не трябва да бъде покривано с топлоизолационни материали. 12. Повредените предпазни капаци трябва да бъдат подменени. 13. Производителя не признава гаранция при некоректно инсталиране, използване или действия неописани в инструкцията.



Always work with main electricity switched off

GB INSTALLATION INSTRUCTIONS D MONTAGEANWEISUNG BG ИНСТРУКЦИЯ ЗА МОНТАЖ

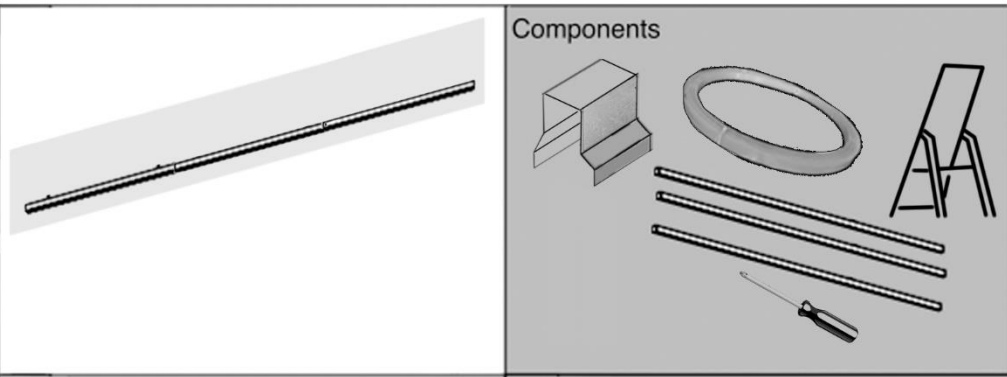


Cut out hole 70 mm

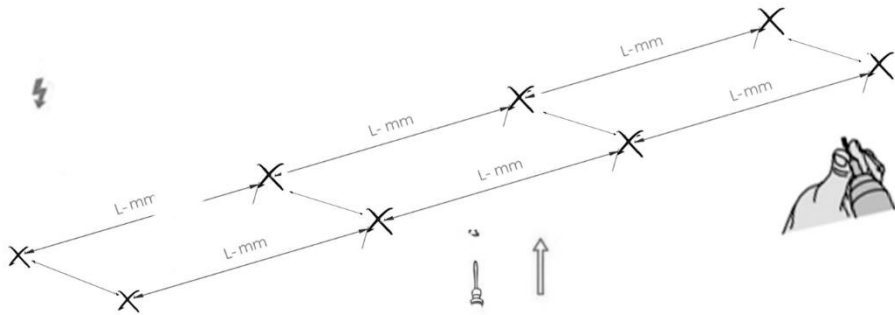


Model	Power, W	Output, lm	Color temp, K	L, mm
Linea in Line Knauf	20	2200	4000	565
	43	4750	4000	1125
	54	5940	4000	1405
	65	7150	4000	1685
<i>FL - First In Line</i>				
<i>ML - Middle In Line</i>				
<i>EL - End In Line</i>				

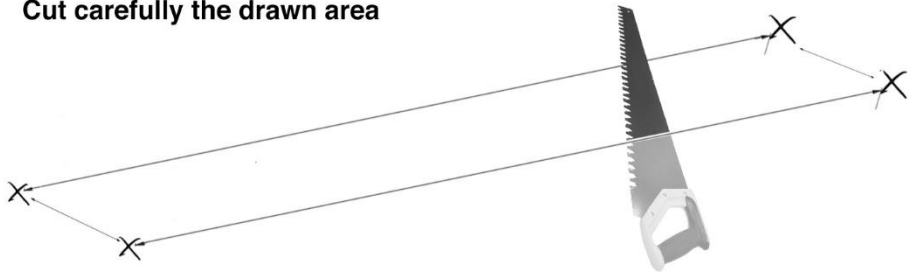




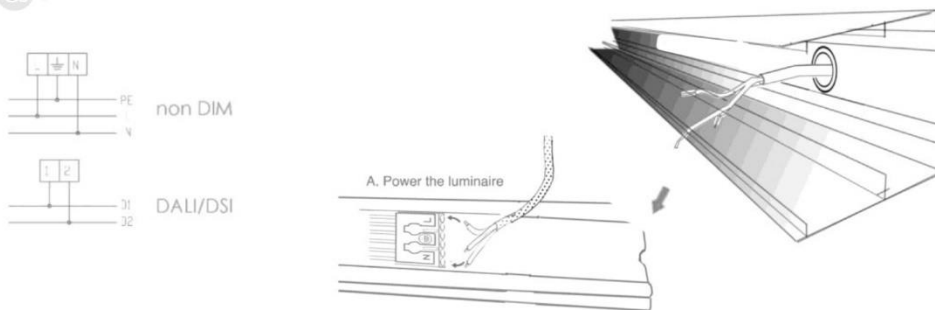
1. Locate and mark position for profile



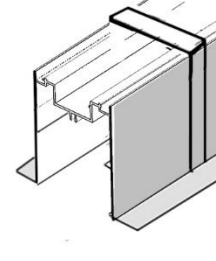
2. Cut carefully the drawn area



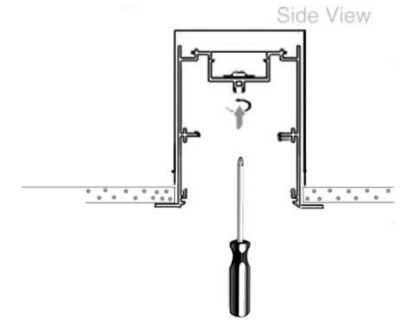
3. Power the first in Line Fixture



5. Insert profile into ceiling

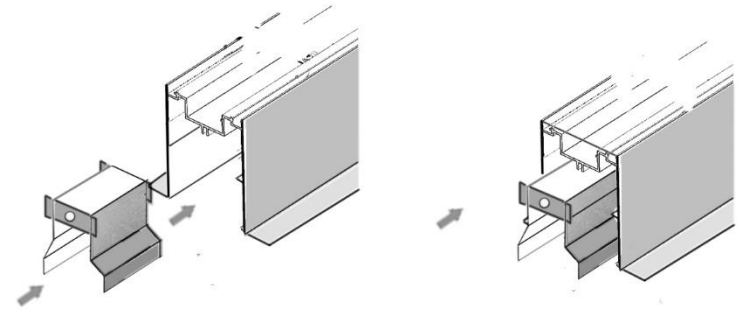


6. Fix profile with the Clips

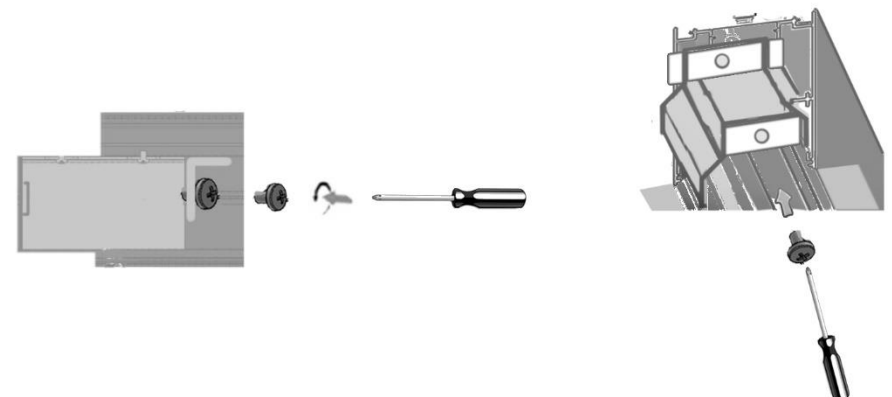


7. Attach Middle Connection

A. Insert Middle Connection planks

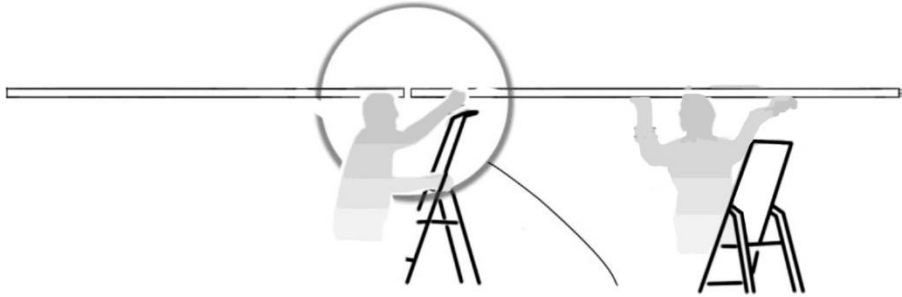
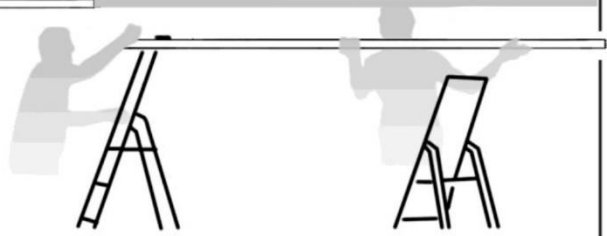


B. Screw the plank from the inside of the profile



8. Add Second In Line Fixture

A.

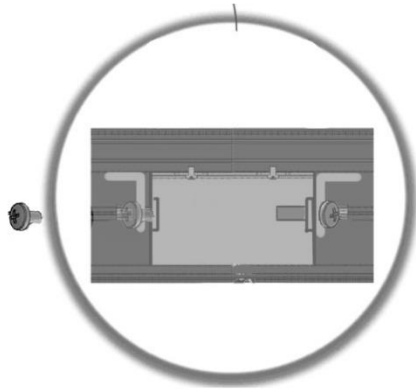


C. Tighten screws for both profiles

C. a

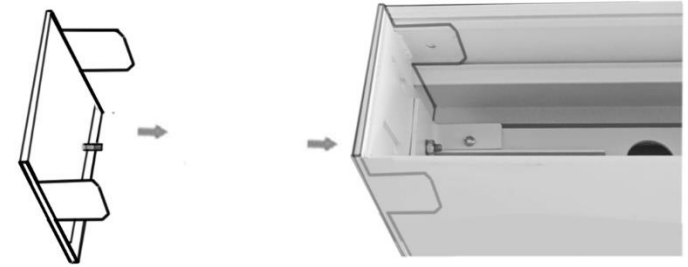
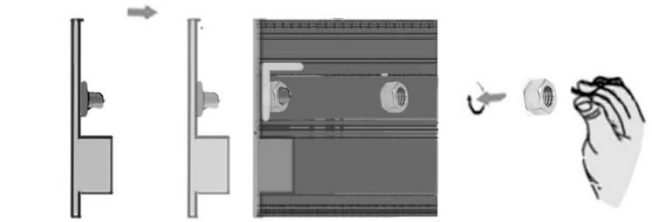


C. b



*Repeat until you finish the desired line

9. Fix End Caps to profile with bolt



10. Power and ground the Gear tray on the first in Line fixture

*Aluminium profile



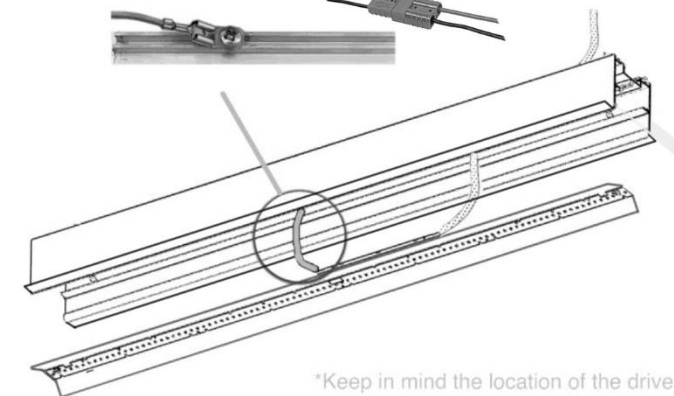
A.



B.



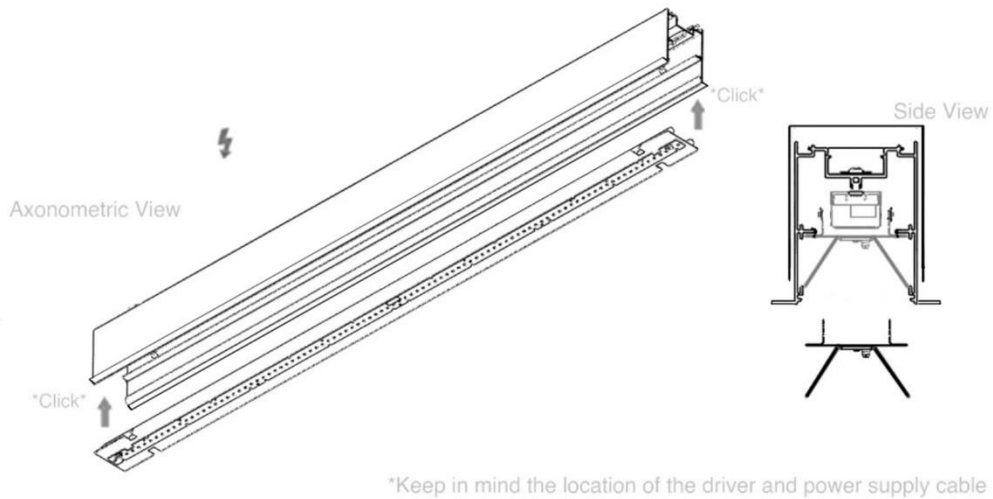
Axonometric View



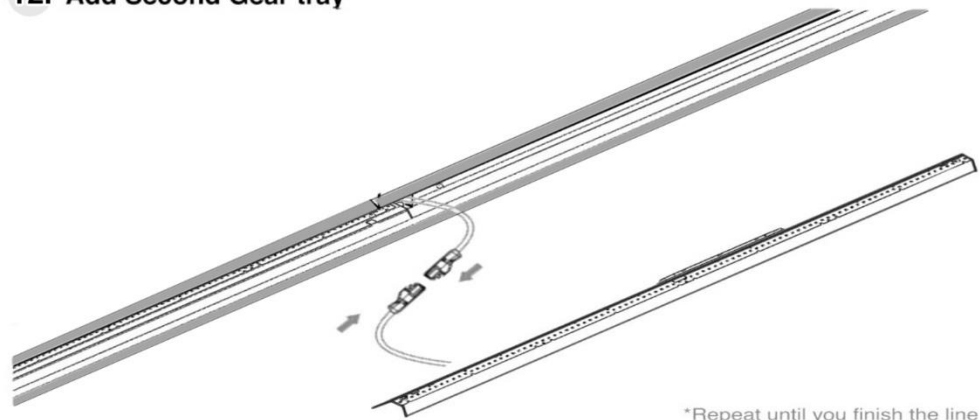
*Keep in mind the location of the driver

11. Insert Gear tray into the First in line hanging aluminium profile

* With Fast Magnetic Connection

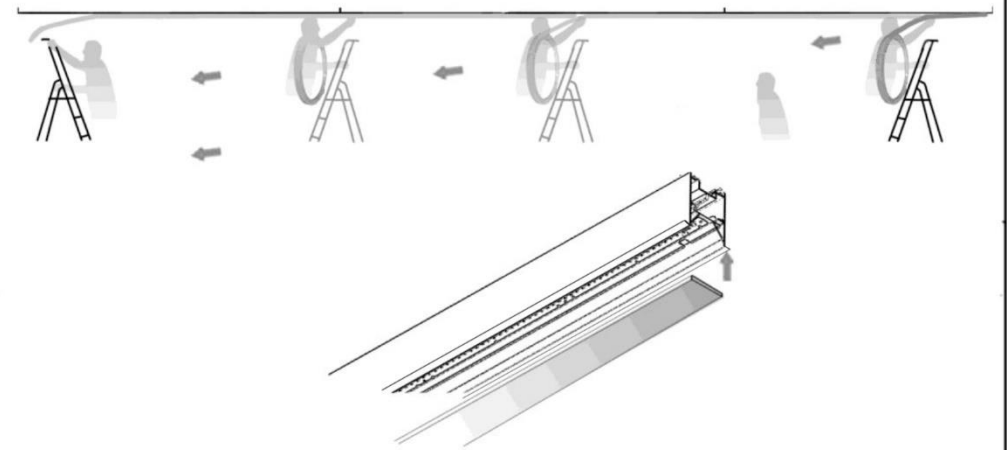


12. Add Second Gear tray



Ensure electric connection and insert gear tray into the profile

13. Insert Diffuser



14. Turn Power ON in the circuit

