



Linea In Line

Continuous Linear Lighting System

Surface and Suspended Version

Preview

up to 4200 lm/m

up to 120 lm/W

L90 / 75 000 h

DALI-2, non DIM

CRI \geq 80, CRI \geq 90 / 3 SDCM

3000 K, 4000 K, TunableWhite*

*on request higher efficiency is available

Advantages and Options:

- * Fast Magnetic Mounting
- * Various Length Profiles
- * Future-proof module replacement
- * Corner Connections available upon request
- * Reliable and Durable connection without light spillage
- * Mareli's Own Microprismatic Diffuser will allow you to achieve a 20 meter system, and more, without a single separation in it

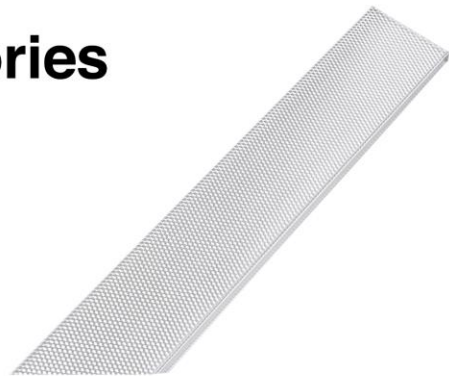
Technical Characteristics



- **Rated Voltage: 220–240 V ±10%**
- **Mains frequency: 50–60 Hz**
- **AC Operation range 198 ÷ 264 V**
- **Functions:**
 - On / Off** - Selectable current output via DIP switch
 - DALI** - Push Switch
 - Light output level in DC operation: Programmable 1-100%
- **Option - Emergency back-up source 1 or 3 hours**
- **Protection - IP 40**
- **Maximum ambient temperature: $t_a = 45\text{ °C}$**
- **Minimum ambient temperature: $t_a = -10\text{ °C}$**
- **Module temperature - $t_c: 85\text{ °C}$**
- **Minimum colour tolerance: 3MacAdam (3SDCM)**
- **Lifetime: 80 000 hours / L80B20 at $t_c=85\text{ °C}$ / ITM21**
- **Standard model - 4000K; CRI>80**
On request 3000K; 5000K; CRI>90
- **Production tolerance of luminous flux and efficiency: ±10%**
- **Indirect option available**

CODE	Lenght (mm)	Power (W)	Light Source	Net Lumen Output (lm)	Colour Rendering Index (Ra)	Colour Temperature (K)
Linea In Line-S/P. 70x93x580-20-2200/9.4/IP20MPW	580	20	LED	2200	≥ 80 Ra	4000K
Linea In Line-S/P. 70x93x580-20-2000/9.3/IP20MPW				2000		3000K
Linea In Line-S/P. 70x93x580-20-2420/9.5/IP20MPW				2420		5000K
Linea In Line-S/P. 70x93x1140-43-4750/9.4/IP20MPW	1140	43		4750		4000K
Linea In Line-S/P. 70x93x1140-43-4320/9.3/IP20MPW				4320		3000K
Linea In Line-S/P. 70x93x1140-43-5225/9.5/IP20MPW				5225		5000K
Linea In Line-S/P. 70x93x1420-54-5940/9.4/IP20MPW	1420	54		5940		4000K
Linea In Line-S/P. 70x93x1420-54-5400/9.3/IP20MPW				5400		3000K
Linea In Line-S/P. 70x93x1420-54-6530/9.5/IP20MPW				6530		5000K
Linea In Line-S/P. 70x93x1700-65-7150/9.4/IP20MPW	1700	65		6600		4000K
Linea In Line-S/P. 70x93x1700-65-6500/9.3/IP20MPW				6000		3000K
Linea In Line-S/P. 70x93x1700-65-7860/9.5/IP20MPW				7860		5000K

Accessories



Microprismatic Diffuser

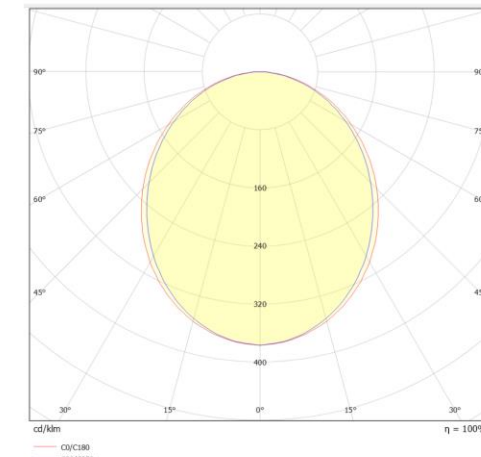


Middle Connection



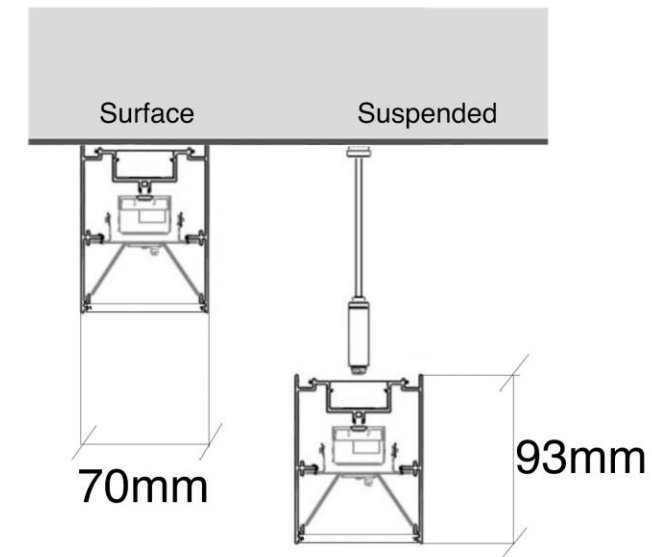
Corners

Lighting Distribution



Microprismatic Diffuser

Drawings





**More than 2000 luminaires
already realised in
Projects in England**