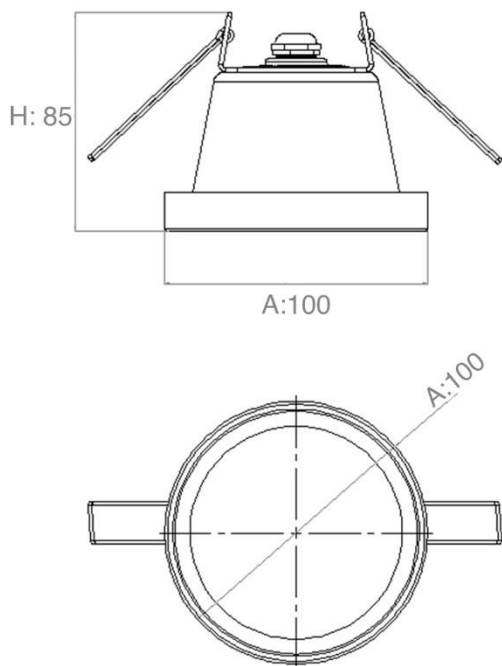




Dimensions



Product

Name	Gaby Series; A: Ø100; B Ø130; C Ø170; D Ø 225
Code	See graph on page 3
Colour	White; Black; other colours on request
RAL	RAL 9003
Mounting	Ceiling Recessed

Light Source

Type	LED
Gross luminous flux	A: 960; 1350 lm/ B: 1350; 1580 lm/ C: 1680; 2040 lm/ D: 2300; 2600 lm
Colour Temperature	Dim to warm 3000-4000 K; 5000 K on request
Chromatic Stability	MacAdam Step 3
Colour Rendering Index	CRI >80 ; CRI>90 on request
Power	A: 7; 10W/ B: 10; 13/ C: 14;17/ D: 19; 22
Current	300 mA - 600 mA
Efficiency	120 lm/W

Lighting Fixture Photometric Data

Lighting efficiency	85% for opal; 90% for Microprism
---------------------	----------------------------------

Electrical Data

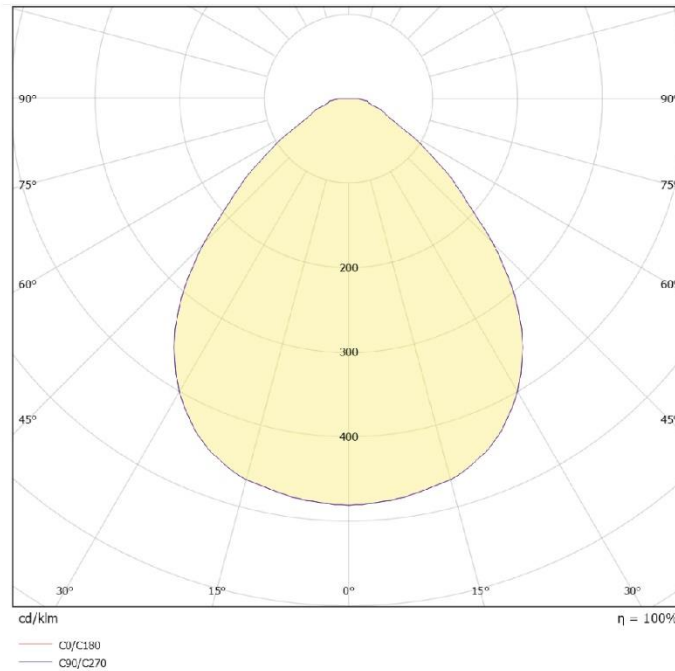
Driver	TCI - Included - Fast Connect
Power	A: 8; 10W/ B: 10; 13/ C: 14;16/ D: 19; 22
Voltage	220-240V
Dimming	DALI / Push - Other DIM, please consult
Electrical insulation class	Safety class I

Other technical information

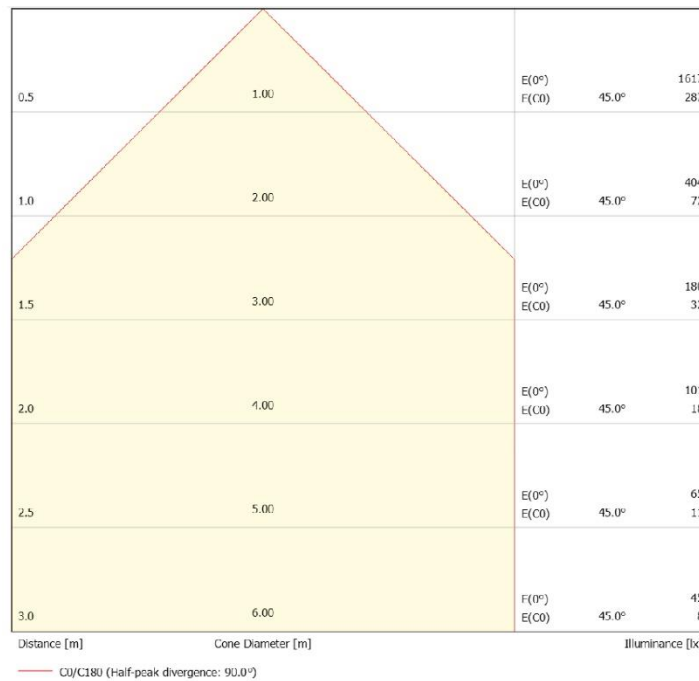
Sealing	IP65
Emergency power supply	Please Consult
Impact resistance	IK07
Mounting Hole	A: Ø 79 mm; B: Ø 110 mm; C: Ø 150 mm; D: Ø 205 mm
Packaging dimensions	Please Consult
Materials	Aluminium Housing & Cooling Diffuser: Microprism; Opal PMMA ; on request Glass

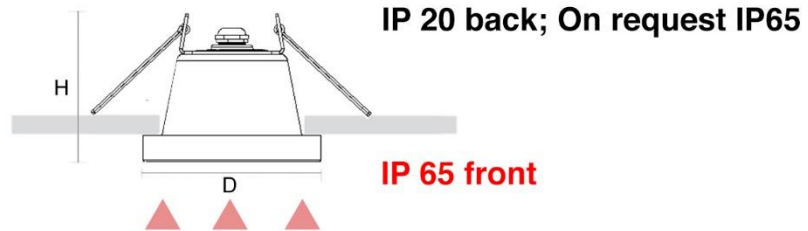
Gaby is a ceiling recessed LED spotlight, whose main features are its minimalist aspects, perfect integration into the ceiling and great visual comfort thanks to its opal or microprismatic diffuser.

Polar Diagram



Conical Diagram





Net Lumen Output	Colour	Power	Wiring	Dimensions	Weight	Height	Purchase code
(lm)	(K)	(W)	ECG	(mm)	(kg)	(mm)	
830	4000	7	ECG	100	0.3	85	GABY-100-7-830/9.4/IP65O3W
1190	4000	10	ECG	100	0.3	85	GABY-100-10-1190/9.4/IP65O3W
1200	4000	10	ECG	130	0.45	85	GABY-130-10-1200/9.4/IP65O3W
1560	4000	13	ECG	130	0.45	85	GABY-130-13-1560/9.4/IP65O3W
1660	4000	14	ECG	170	0.6	85	GABY-170-14-1660/9.4/IP65O3W
2020	4000	17	ECG	170	0.6	85	GABY-170-17-2020/9.4/IP65O3W
2270	4000	19	ECG	225	0.9	70	GABY-225-19-2270/9.4/IP65O3W
2600	4000	22	ECG	225	0.9	70	GABY-225-22-2600/9.4/IP65O3W
Accessories codes							
DALI / PUSH DIM Driver			GABY-mm-W-K/9dali.4/IP65O3W				

* In the table Gross luminous flux from Opal PMMA diffuser is presented. Note that values change between optical systems.

Gaby offers the possibility of requesting any of its models with IP65 weather resistance which converts it into an optimal luminaire to be installed in atmospheres where the product may suffer from the impact of water or frequent presence of humidity