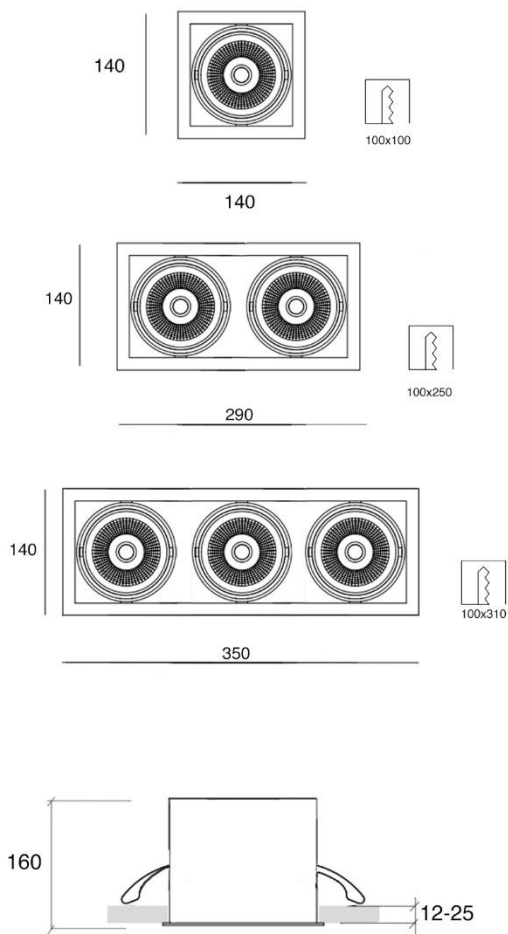




## Dimensions



Name	Vera Single; Vera Duo; Vera Trio
Codes	See graph on page 2
Colour	White; Black; other colours on request
RAL	RAL 9003 ; RAL 9005 other colours on request
Mounting	Recessed

Type	LED
Gross luminous flux	Up to 3 700 lm per COB
Colour Temperature	Dim to warm 3000-4000 K; 5000 K on request
Chromatic Stability	MacAdam Step 3
Colour Rendering Index	CRI >80 ; CRI>90 on request
Power	Up to 25 W
Current	Up to 600 mA
Efficiency	Up to 150 lm/W
Light Beam Angle	15°; 25°; 35°

Lighting efficiency	90% from Lense
---------------------	----------------

Driver	Included
Power	Up to 25W
Voltage	220-240V
Dimming	DALI / Push - Other DIM, please consult
Electrical insulation class	Safety class I

Sealing	IP20/ IP40 front part on request
Emergency power supply	Please Consult
Impact resistance	IK07
Mounting Accessories	Clips
Packaging dimensions	Please Consult
Materials	Sheet Metal Box; Aluminium Tube body & Aluminium Heating Cooling

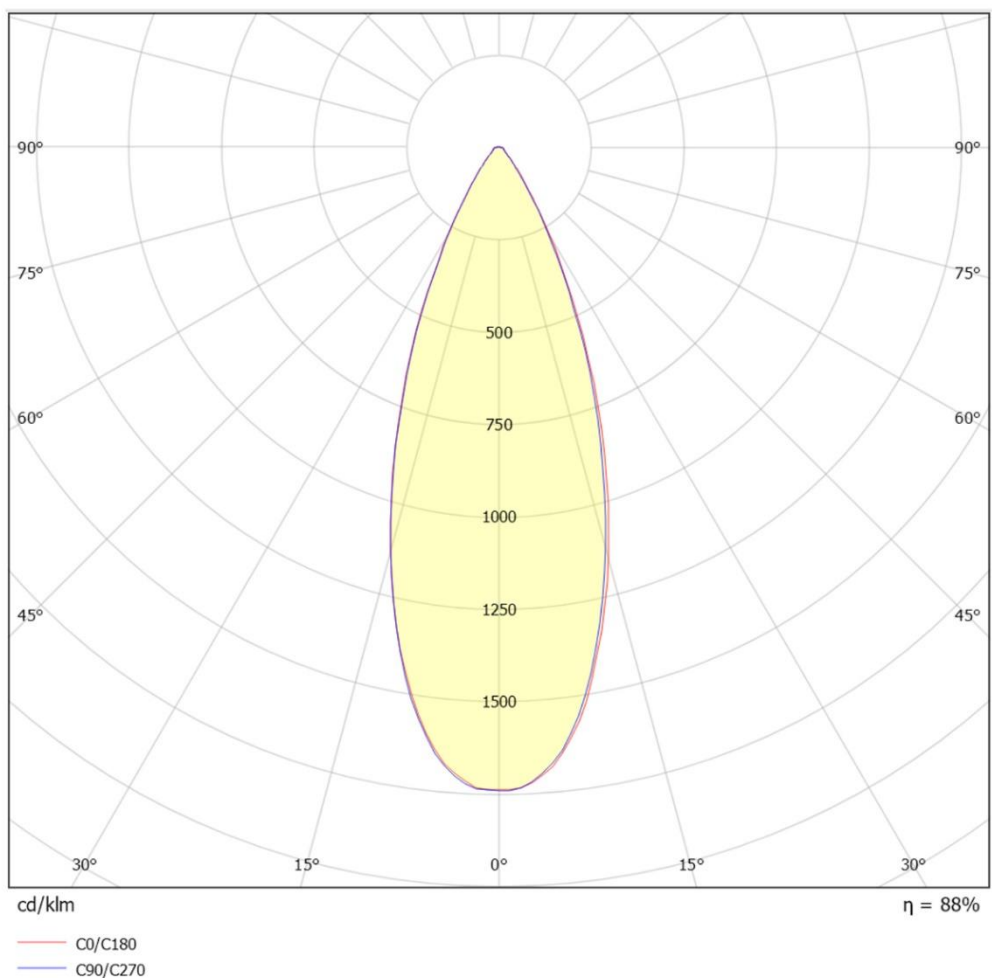
## Lighting Fixture Photometric Data

## Electrical Data

## Other technical information

Diffusers: Opal PMMA; Microprism; Louvres; Linear Optics





Net Lumen Output per COB	Colour	Power	Wiring	Dimensions	Weight	Height	Purchase code
(lm)	(K)	(W)	ECG	(mm)	(kg)	(mm)	
VERA Series <b>Standard</b>							
1 500	4000	10	ECG	VeraS/ Duo/ Trio	1.64	160	VeraS/Duo/Trio-140/290/350x140-10-1500-9.4-IP20G-OptA70
2 250	4000	15	ECG	VeraS/ Duo/ Trio	1.64	160	VeraS/Duo/Trio-140/290/350x140-15-2250-9.4-IP20G-OptA70
3 000	4000	20	ECG	VeraS/ Duo/ Trio	2.64	160	VeraS/Duo/Trio-140/290/350x140-20-3000-9.4-IP20G-OptA70
3 700	4000	25	ECG	VeraS/ Duo/ Trio	3.84	160	VeraS/Duo/Trio-140/290/350x140-25-3700-9.4-IP20G-OptA70

These are standard lumen outputs for this luminaire. For special requests please consult.

VERA is a recess-mounted LED with cardan joint type pivot, offering extremely outstanding lumen packages for spaces that require a large amount of light and spotlight type lighting. The capacity of VERA to be directed without standing out from the ceiling, and its small size related to its lumens, help prevent the luminaire from generating an invasive presence in a area. Suitable for lighting from high ceilings.