



LSTR-9.6W



STANDARD

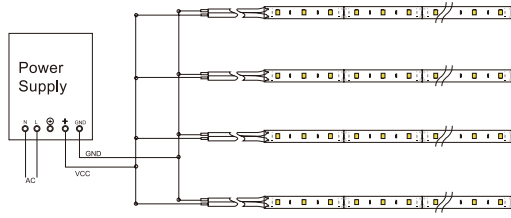
Ra 80	120°	-20°C-50°C Operating Temp	up to 35000 hours	IES	Scissors icon	5W/m
----------	------	---------------------------------	-------------------------	-----	---------------	------



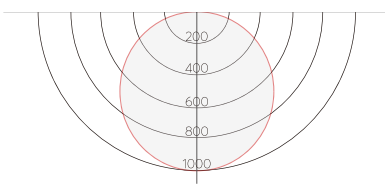
120 LEDs

PCB

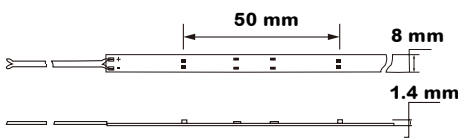
INSTALLATION DIAGRAM



LIGHT DISTRIBUTION



DIMENSION



Flexible LED Strip: Model: LSTR-9.6W

LED STRIP MODEL	POWER on meter	CCT	CRI	Length of Profile (Y)	Suitable for LED Driver	Strip Power	Strip Lumen
	(W)	(K)	(Ra)	(mm)		(W)	(lm)
LSTR-9.6W-3K	9,6	3000	>80	from 100 up to 1000	LED-DRM-12W-24V	(Y) x 9,6	(Y) x 640
	9,6	3000	>80	from 1001 up to 2000	LED-DRM-25W-24V	(Y) x 9,6	(Y) x 640
	9,6	3000	>80	from 2001 up to 3000	LED-DRM-35W-24V	(Y) x 9,6	(Y) x 640
LSTR-9.6W-4K	9,6	4000	>80	from 100 up to 1000	LED-DRM-12W-24V	(Y) x 9,6	(Y) x 640
	9,6	4000	>80	from 1001 up to 2000	LED-DRM-25W-24V	(Y) x 9,6	(Y) x 640
	9,6	4000	>80	from 2001 up to 3000	LED-DRM-35W-24V	(Y) x 9,6	(Y) x 640



LED Strips are sold on packages of 5 meters • LED profile is sold in standard length: 1 meter • There is a possibility to cutting the profiles to any size, up to 4 meters
 For Suspended application we recommend 2 pcs suspender / 1 meter
 Mareli Ltd. reserves the right to introduce structural changes and modify the luminaires